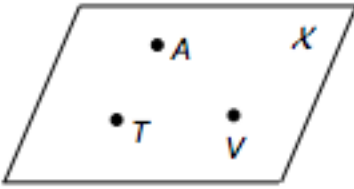
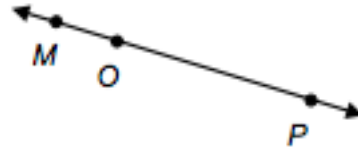


**Study your foldable!!!**

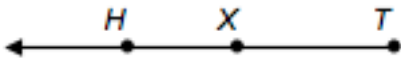
1. Name the plane in as many ways as possible.



2. Name the line in as many ways as possible.



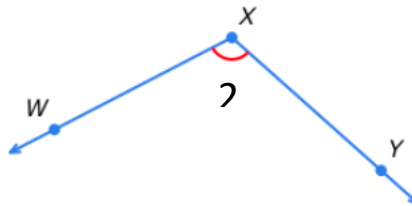
3. Name the whole ray in as many ways as possible.



4. Name the segment in as many ways as possible.



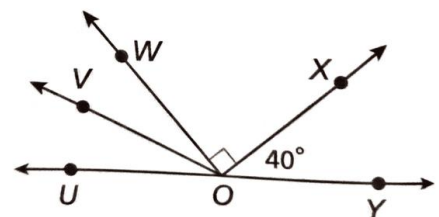
5. Name the angle in as many ways as possible.



6.  $M$  is the midpoint of  $\overline{LN}$ .  $LM = 2x+3$  and  $MN = 17$ . Find LN.

7.  $\overline{VX}$  bisects  $\angle WVY$ ,  $m\angle WVX = (6x)^\circ$ , and  $m\angle WVY = (16x - 42)^\circ$ . What is the value of  $x$ ?

8. If  $m\angle UOW = 50^\circ$ , and  $\overline{OV}$  bisects  $\angle UOW$ , what is the  $m\angle VOY$ ?



9. Find the midpoint of  $(-6, 7)$  and  $(8, -10)$ .

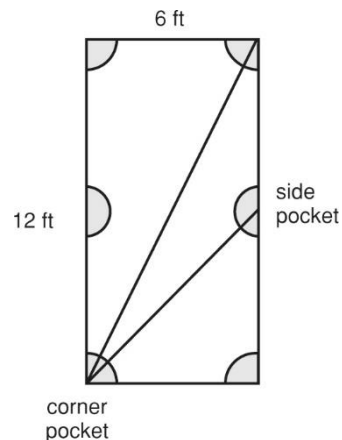
10.  $M$  is the midpoint of  $\overline{RS}$ .  $R$  has coordinates  $(-2, 10)$ , and  $M$  has coordinates  $(3, 5)$ . What are the coordinates of  $S$ ?

11. Snooker is a kind of pool or billiards played on a 6-foot-by-12-foot table. The side pockets are halfway down the rails (long sides).

a. Find the distance, to the nearest tenth of a foot (use a calculator), diagonally across the table from corner pocket to corner pocket.

\_\_\_\_\_

b. Find the distance, to the nearest tenth of an inch (use a calculator), diagonally across the table from corner pocket to side pocket.



12. Add distance formula

